

STEPPERONLINE®

User Manual

LK86 Series Linear Actuators



©2025 All Rights Reserved

Address: 15-4, #799 Hushan Road, Jiangning, Nanjing, China

Tel: 0086-2587156578

Web: www.omc-stepperonline.com

Sales: sales@stepperonline.com

Support: technical@stepperonline.com

LK86 Series

Model Explanation

LK86 - 24 D L10 (S) 3 - 510

Stroke Length:510mm

No. of Sensors

Motor installation standard (no letter means stepper motor)

S: Standard servo

P: Panasonic servo

Lead:10mm

Motor Mounting Position:

D:Direct Connect

B:Under Fold

L:Left Fold

R:Right Fold

Motor Mounting Flange:

24:Nema 24 Stepper

60:60mm Servo

Series

Specifications

Nema 24 Stepper drive:

Position accuracy (mm)		0.01			
Ball screw lead (mm)		10	20	-	-
Maximum speed (mm/s)		166	333	-	-
Maximum payload (kg)	Horizontal	30	18	-	-
	Vertical	8	3	-	-
Rated thrust (N)		341	174	-	-

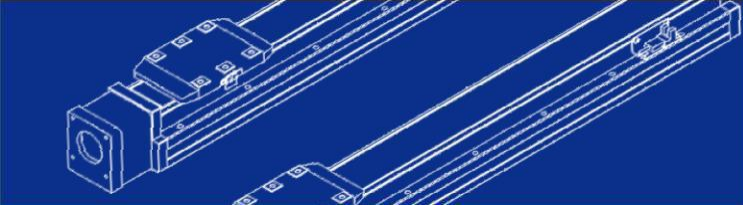
Note: We recommend setting the motor acceleration and deceleration time to 0.4 seconds.

(400W)60mm Servo drive:

Position accuracy (mm)		0.01			
Ball screw lead (mm)		10	20	-	-
Maximum speed (mm/s)		500	1000	-	-
Maximum payload (kg)	Horizontal	40	24	-	-
	Vertical	12	6	-	-
Rated thrust (N)		694	347	-	-

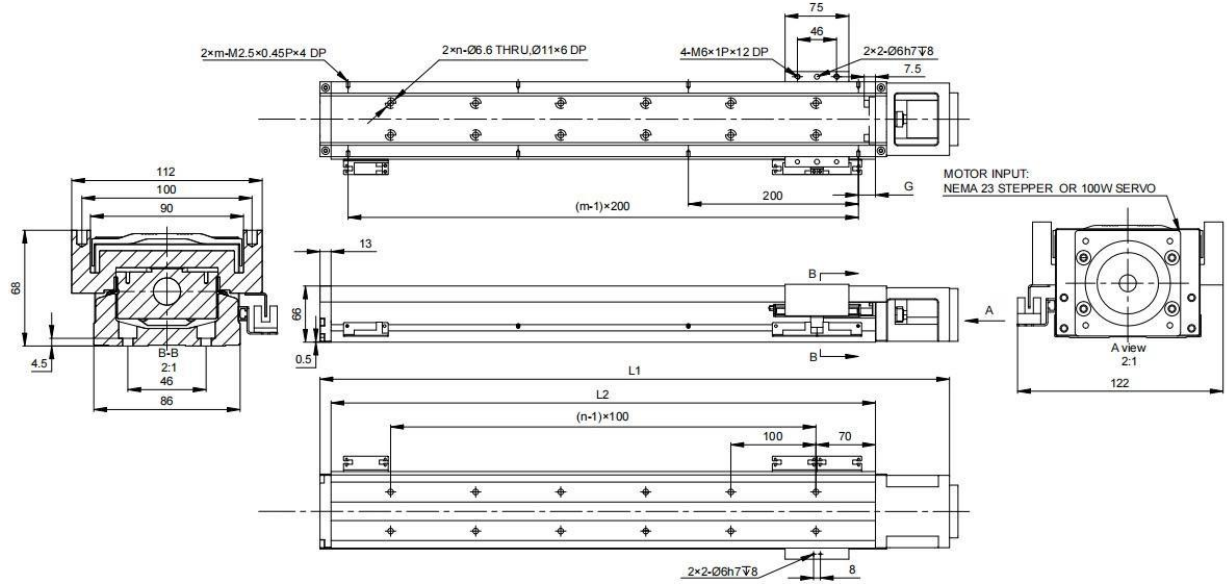
Note:

1. We recommend setting the motor acceleration and deceleration time to 0.2 seconds.



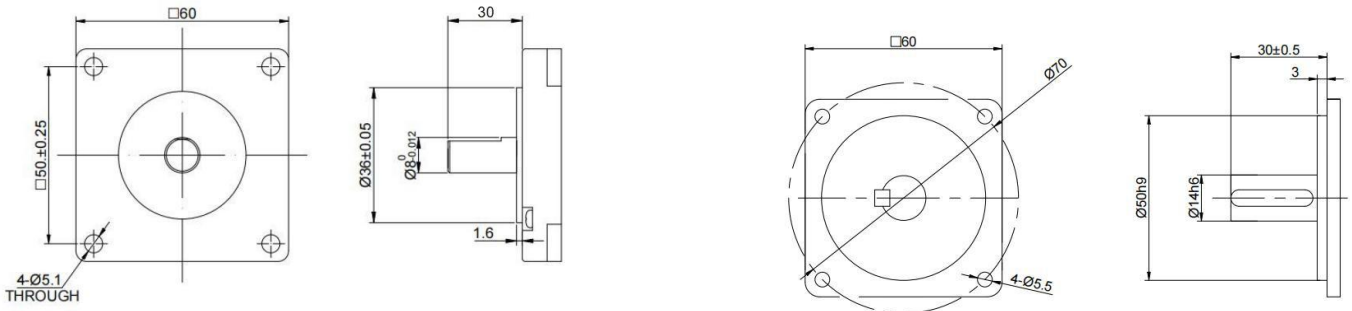
Size Details

1.D: Direct Connect



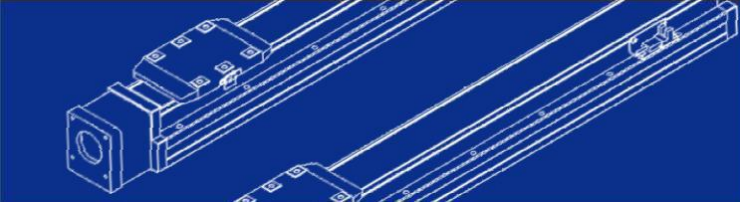
Stroke	210	310	410	510	610	810
L1	440	540	640	740	840	1040
L2	340	440	540	640	740	940
G	70	20	70	20	70	70
n	3	4	5	6	7	9
m	2	3	3	4	4	5
KG	6.5	7.8	9.0	10.3	11.6	13

Reference motor size:

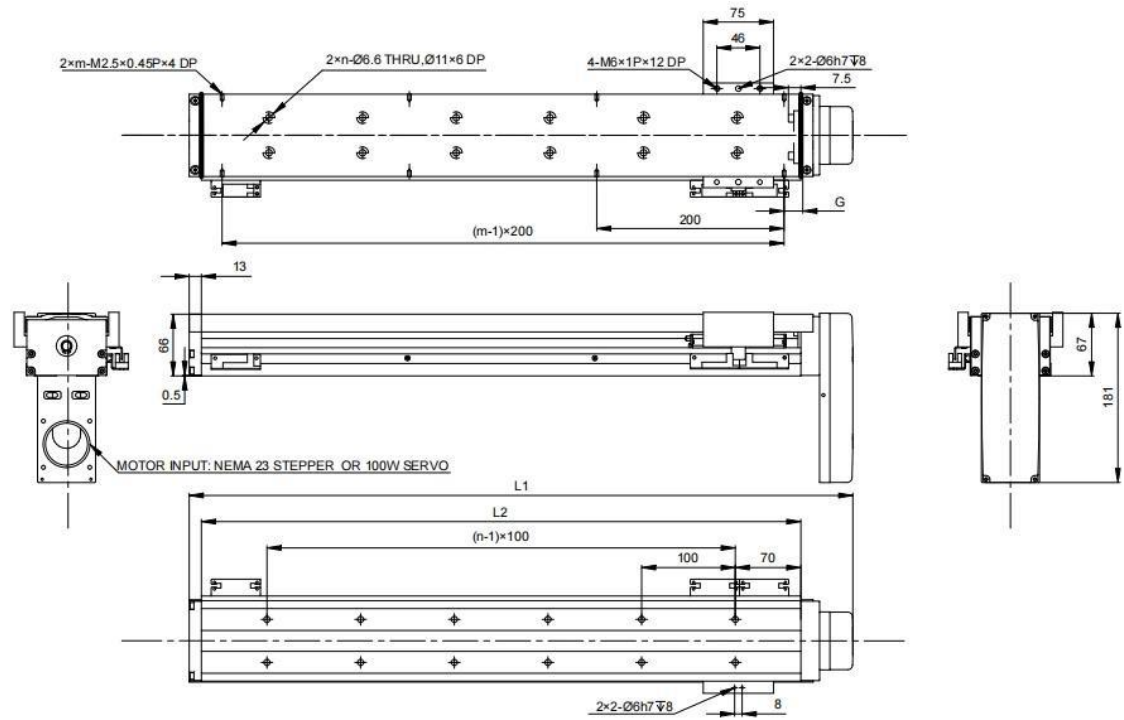


NEMA 24

(400W)60mm Servo

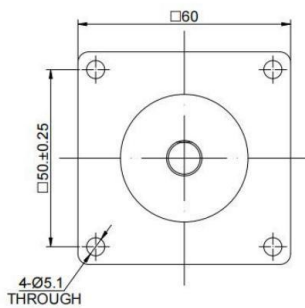


2.B: Under Fold

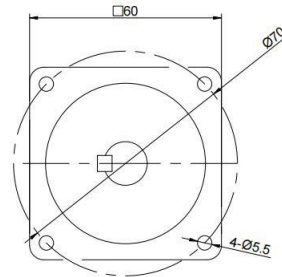


Stroke	210	310	410	510	610	810
L1	408.5	508.5	608.5	708.5	808.5	1008.5
L2	340	440	540	640	740	940
G	70	20	70	20	70	70
n	3	4	5	6	7	9
m	2	3	3	4	4	5
KG	6.8	8.1	9.3	10.6	11.9	13.3

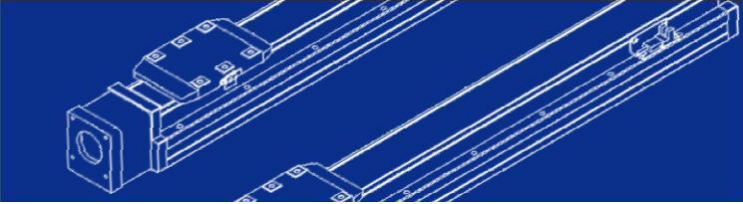
Reference motor size:



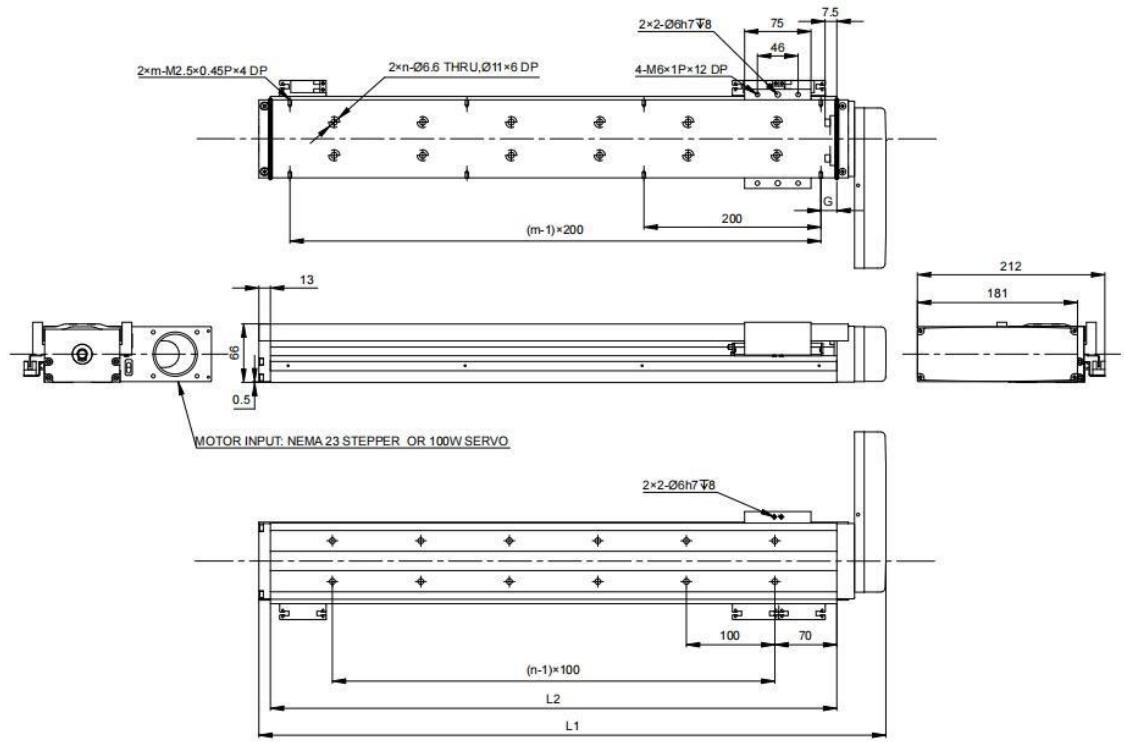
NEMA 24



(400W) 60mm Servo

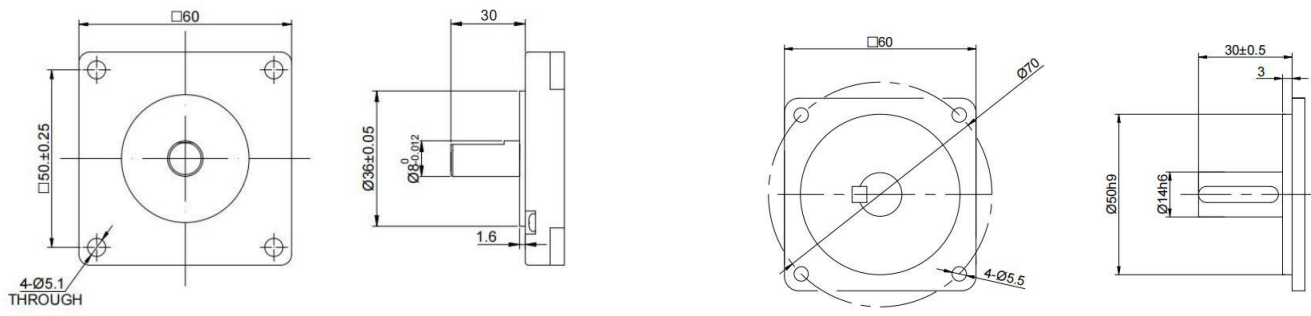


4. R: Right Fold



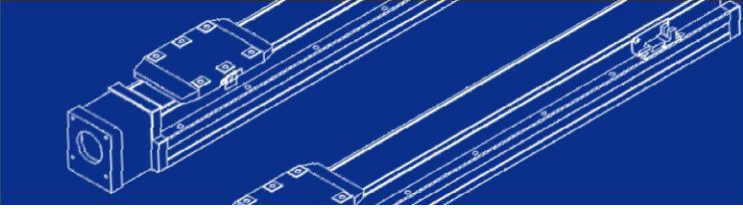
Stroke	210	310	410	510	610	810
L1	408.5	508.5	608.5	708.5	808.5	1008.5
L2	340	440	540	640	740	940
G	70	20	70	20	70	70
n	3	4	5	6	7	9
m	2	3	3	4	4	5
KG	6.8	8.1	9.3	10.6	11.9	13.3

Reference motor size:

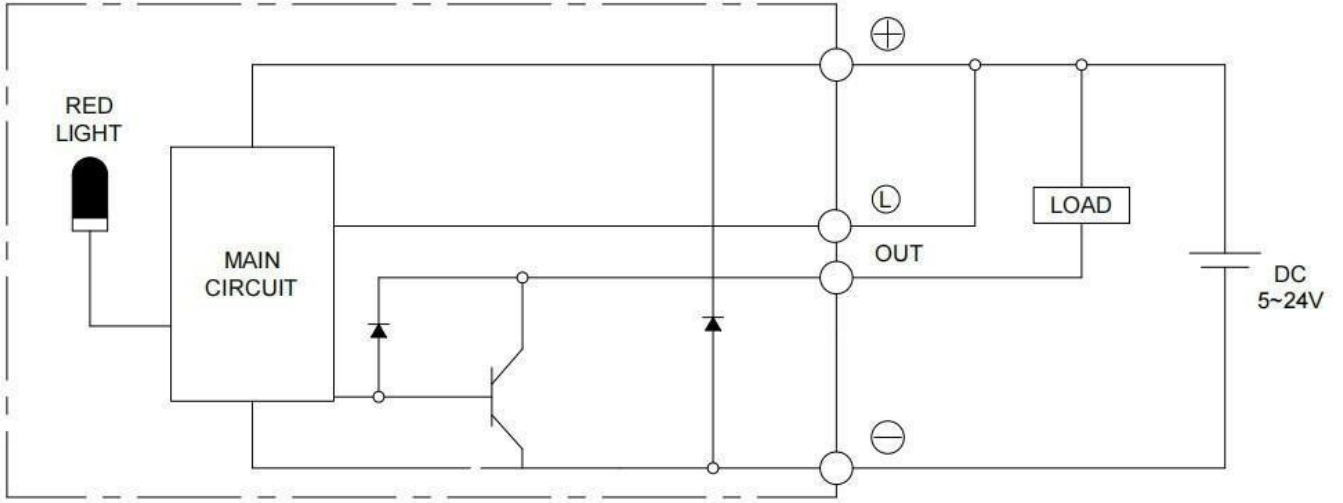


NEMA 24

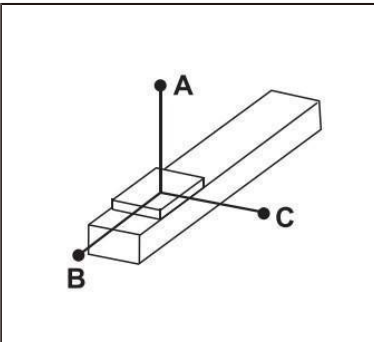
(400W) 60mm Servo



Sensor Wiring

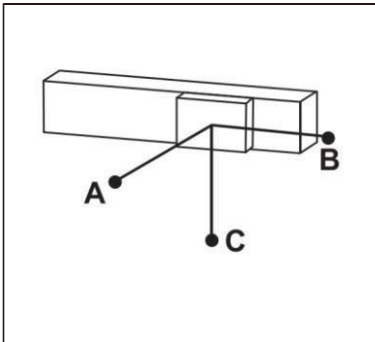


Horizontal installation



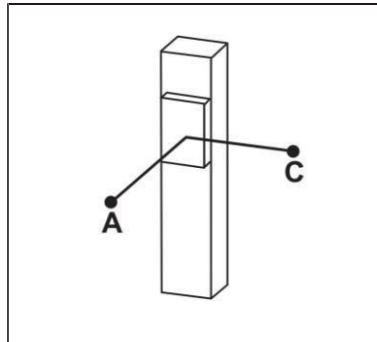
		A	B	C
Lead 10	10KG	2850	490	600
	20KG	1700	280	350
	30KG	950	140	190
Lead 20	6KG	3400	1250	1400
	12KG	1650	550	620
	18KG	900	290	330
-	-	-	-	-
-	-	-	-	-
-	-	-	-	-
-	-	-	-	-

Wall installation



		A	B	C
Lead 10	10KG	400	410	2500
	20KG	245	250	1150
	30KG	150	150	950
Lead 20	6KG	900	1070	3000
	12KG	550	630	1800
	18KG	260	300	900
-	-	-	-	-
-	-	-	-	-
-	-	-	-	-
-	-	-	-	-

Vertical installation



		A	C
Lead 10	4KG	1600	1600
	6KG	1150	1150
	8KG	730	730
Lead 20	1KG	1800	1800
	3KG	1250	1250
	-	-	-
-	-	-	-
-	-	-	-
-	-	-	-

(Unit: mm)

The torque value in the chart indicate the center of gravity;
 Operation life is 10,000km when the product is using under the specified conditions.